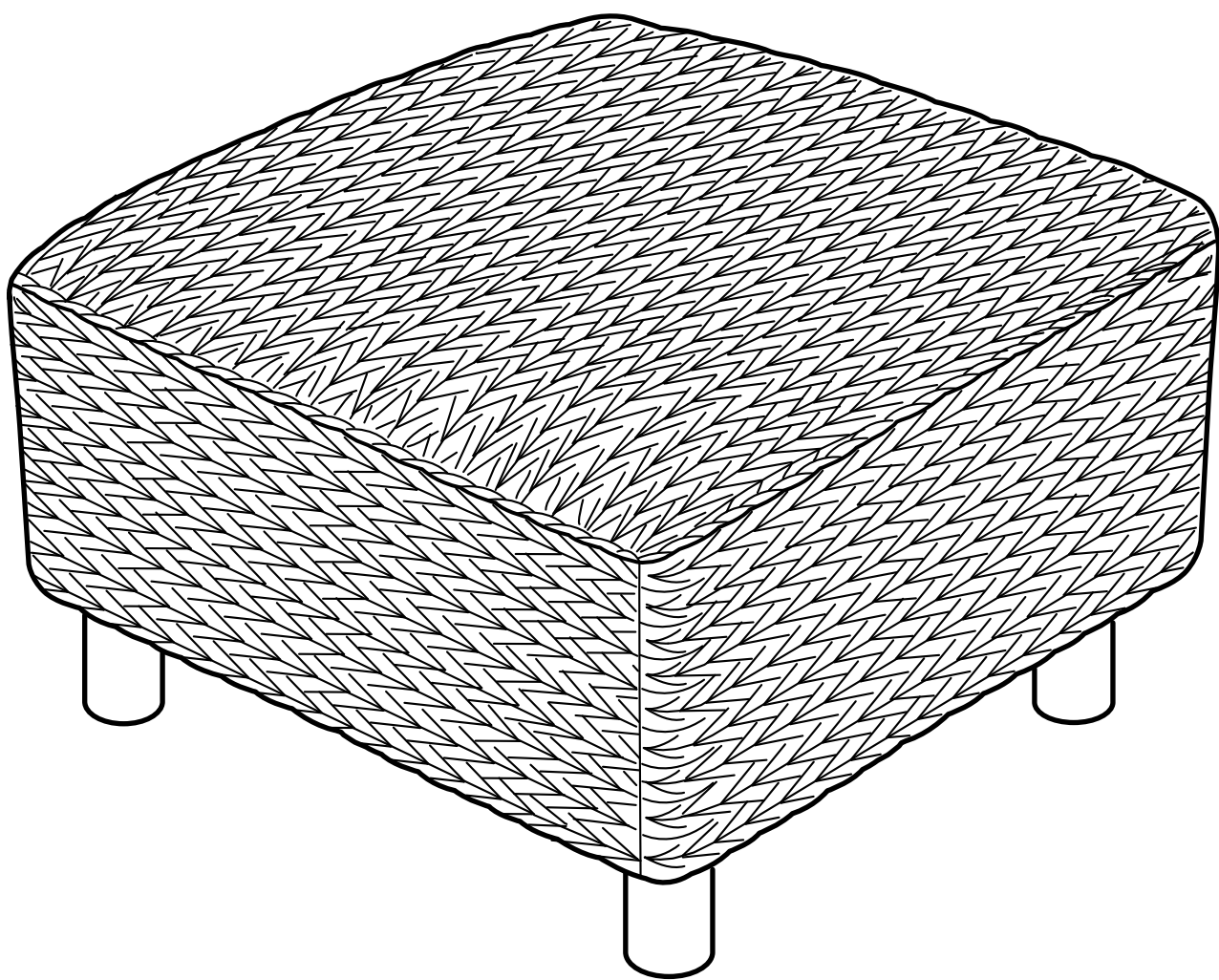
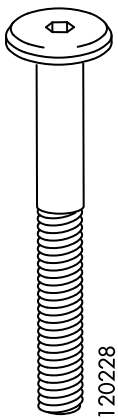
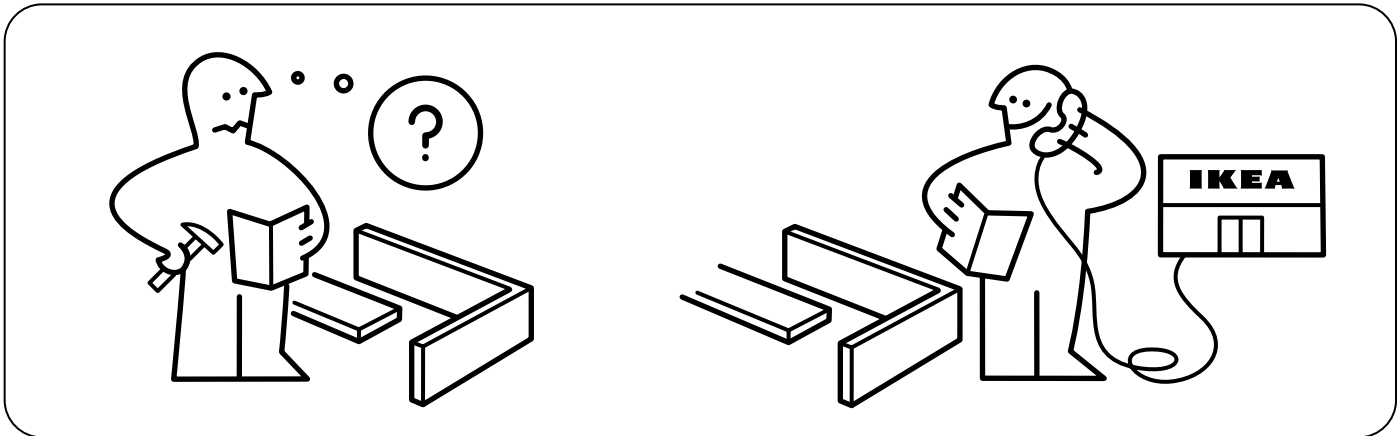


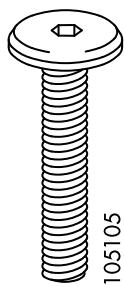
# KLIPPAN



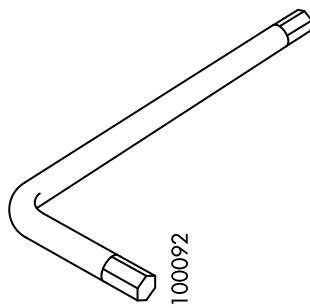
Design and Quality  
IKEA of Sweden



8x

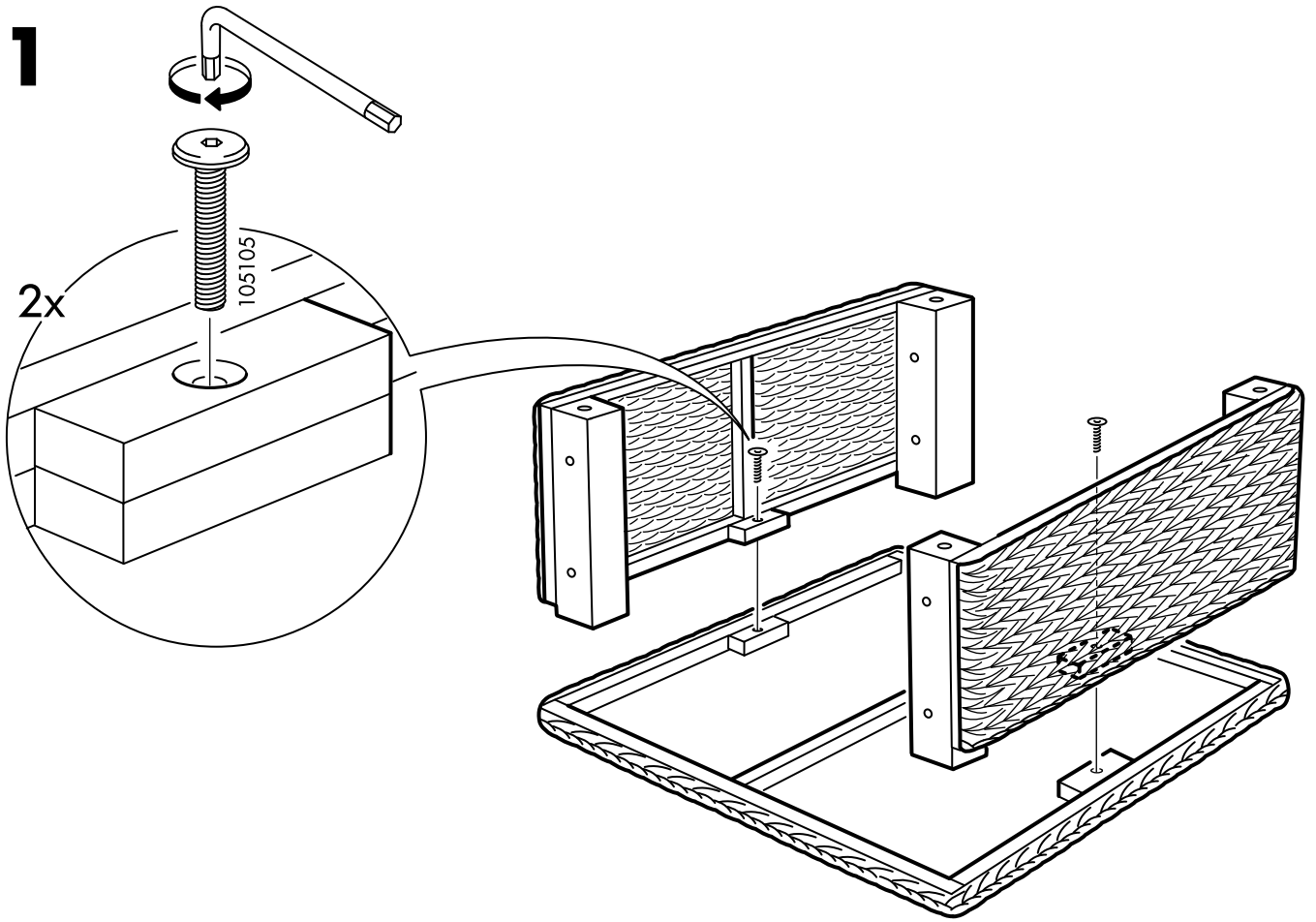


2x

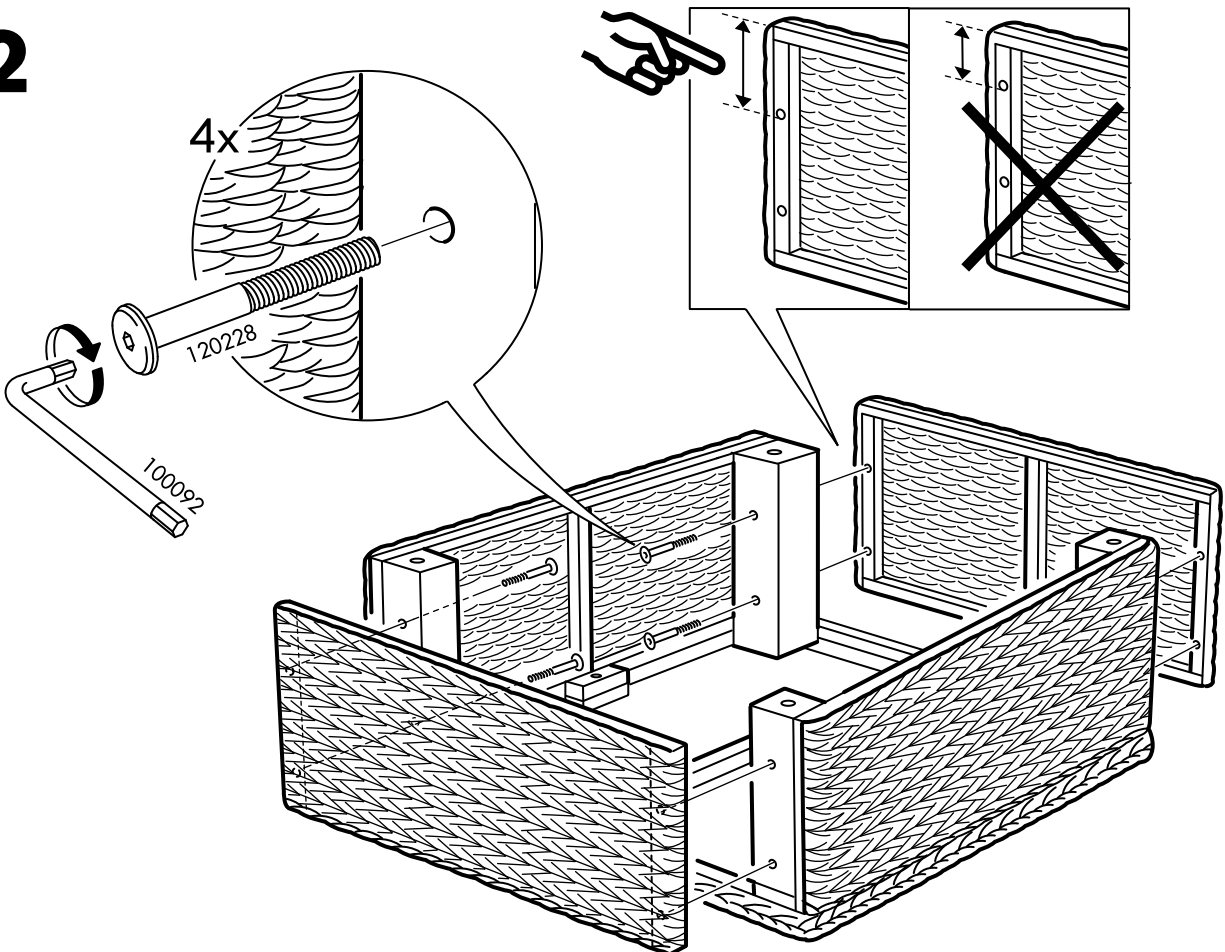


1x

**1**



**2**



3

